

---

# Data sheet

## MC 3000/MC 5000

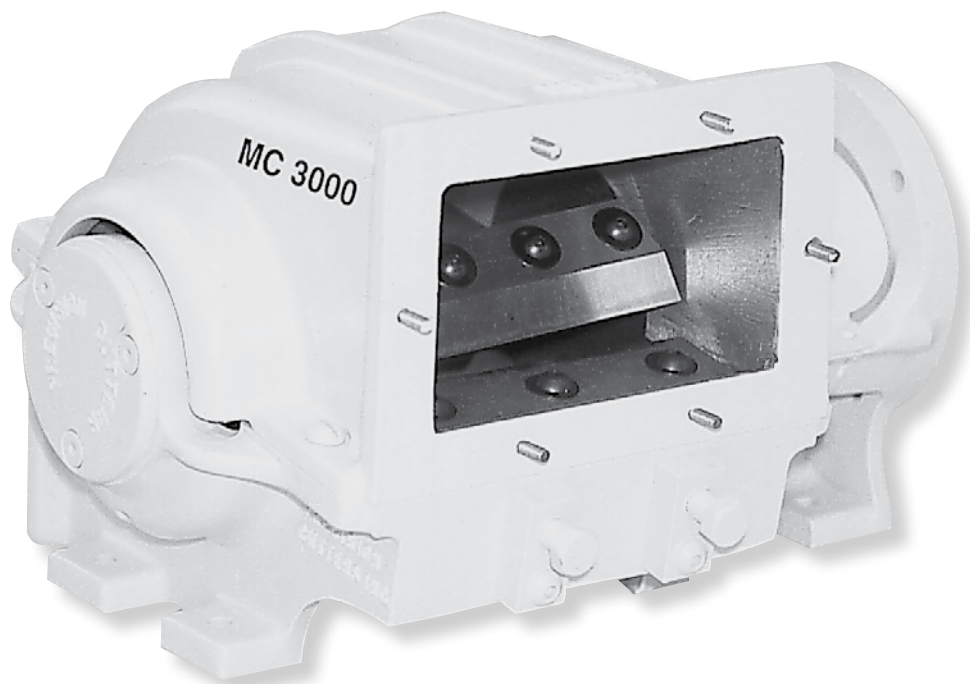
The MC 3000/MC 5000 has been developed for continuous cutting of continuous trim

The MC 3000/MC 5000 consists of a fixed and a rotating set of blades driven by a direct-coupled motor. The angled rotating blades provide shockfree cutting and reduce the operating noise level.

The shaftless cutting chamber and the fact that the end discs of the rotor serve as part of the cutting chamber prevents any change of wraps.

The rotor is mounted in "seal for life" precision ball bearings. The MC 3000/MC 5000 is installed in a pipe system in connection with either paper and printing press machinery or post-processing machinery, material is either endless paper trims and trims from cardboard or plastic film.

The knives are supplied in standard hardened steel with good resistance to wear and extended service life. Tungsten Carbide knives are also available for use with abrasive materials. These knives last normally 10 times longer than standard knives.



## Technical Data

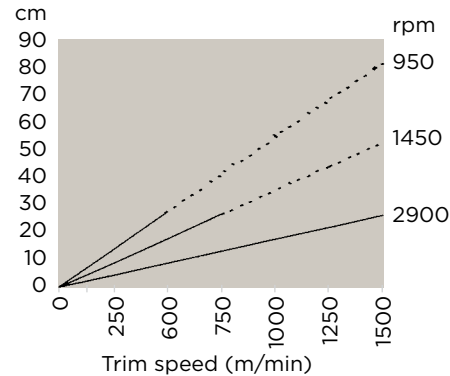
Blades are available in standard hardened steel with good resistance to wear and extended service life. Optional blades in tungsten carbide are also available.

To obtain variable cutting speed, the cutter can be operated via an electrical frequency control - min. RPM 600.

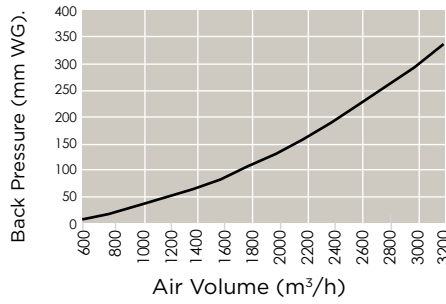
### MC 3000/MC 5000

Rotor	Angled Rotating
	6/2 rotating knives
	1 fixed knife

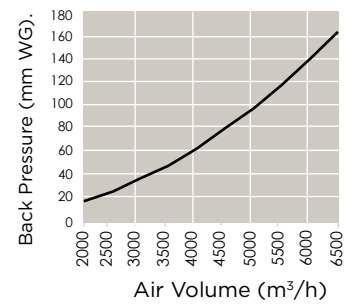
### Cutting Length MC 3000/MC 5000



### Pressure loss across MC 3000

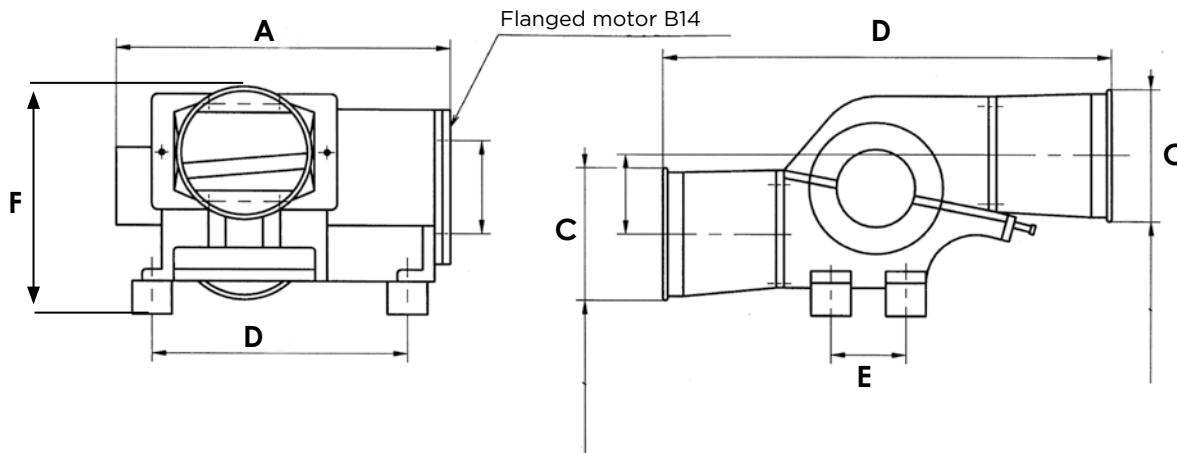


### Pressure loss across MC 5000



RPM	2900	1450	900
Motor size MC 3000	1,5 kW/0,75 kW	0,75 kW	0,55 kW
Motor size MC 5000		4 kW/1,5kW	1,1 kW
Weight MC 3000 incl. motor	59 kg/53 kg	57 kg	56 kg
Weight MC 5000 incl. motor		134 kg/115 kg	118 kg
Wiring	3 x 400V, 50 Hz		
Start	Manual/Direct		

## Dimensions (mm)



	A	B	C	D	E	F
MC 3000	424	570	160/200	324	95	305
MC 5000	613	1.027	200/250	544	191	460

Kongskilde industries A/S

Tel. +45 33 68 37 00

mail@kongskilde.com

www.kongskilde.com

**K KONGSKILDE**