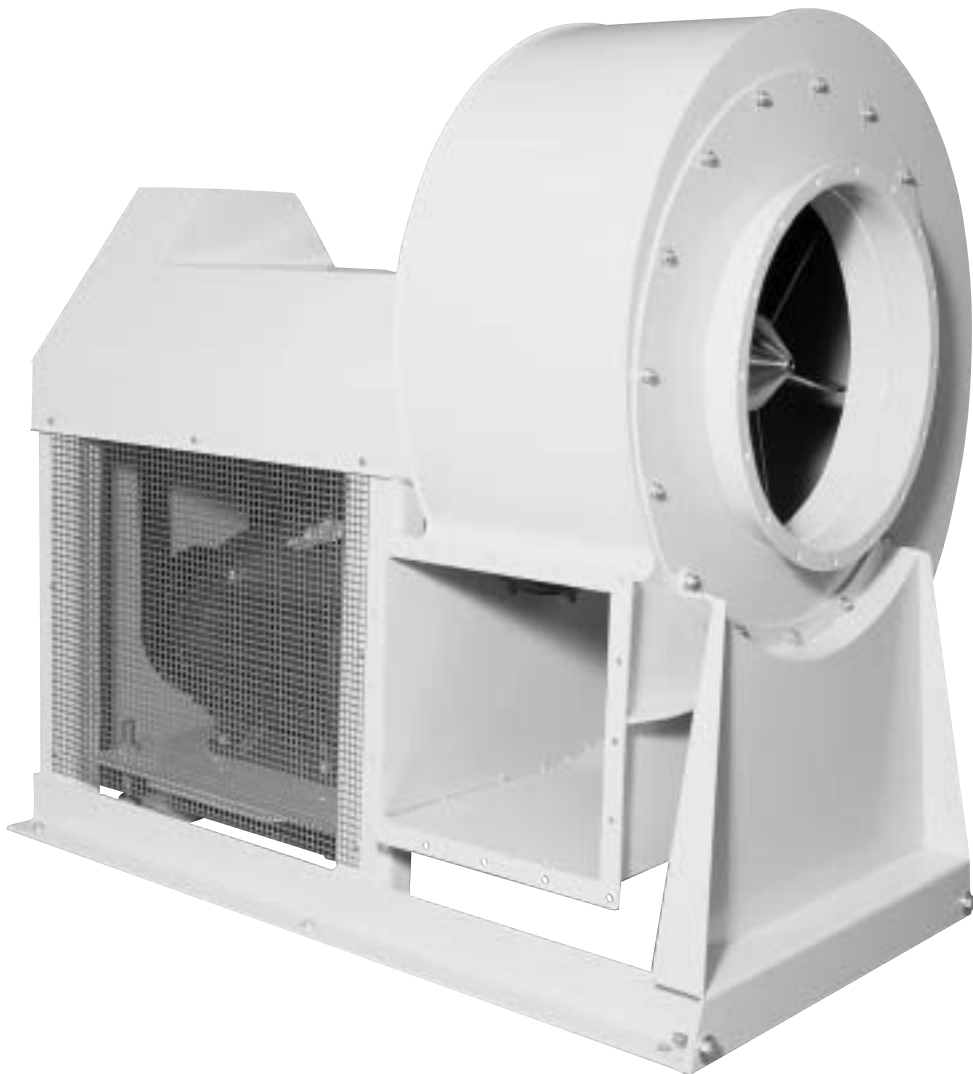


MTK Blowers

40/45/55/75/200/300

Kongskilde
MTK Blowers



Kongskilde MTK Blowers are indirect coupled centrifugal units designed for the handling of material through the blowers.

The range covers air volumes from 4,000 m³/h to 50,000 m³/h and a maximum pressure of 1,020 mmWG (10 kPa).

MTK 40/45/55/75

The MTK Blowers are equipped with a self-cleaning rotor, which has backwards curved blades and an aerodynamic intake. Each rotor is statically and dynamically balanced.

The MTK blowers are made in heavy duty design. Material thickness in the housing is 3 mm, and the rotor blades are 5 mm.

The blowers are available with various rpm (see technical data) for both 50 Hz and 60 Hz. (Please state when ordering.) The belt drives are shaft-mounted with taperlock bushing.

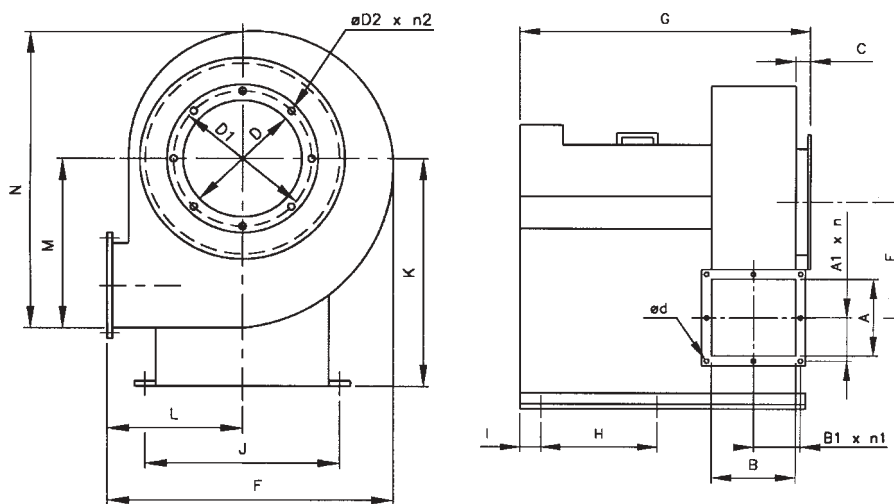
A standard range of acoustic housing is available for reducing the noise level. As guideline noise reduction is approx. 20 dB(A) by applying an acoustic booth.

The acoustic booths are as a standard equipped with cooling fans. Power consumption of the cooling fans are 67 W for acoustic booths with motors up to 30 kW and 118 W for acoustic booths with motors larger than 30 kW.

Technical Data 40/45/55/75

Type	Rpm	Motor power kW	Weight standard motor kg	Weight w/o motor kg	Transitions inlet ¹ mm	Transitions outlet ¹ mm	Noise level dB(A) 1m distance
MTK 40	2400	11.0	81	152	Ø400 w. bolt flange to FK 300 L = 350	250 x 250 to FK300 L = 300	86 (at 15.0 kW)
	2600	15.0	118				
MTK 45	1750	18.5	134	235	Ø400 w. bolt flange to FK 400 L = 250	339 x 339 to FK400 L = 300	90 (at 22.0 kW)
	1850	22.0	165				
	1950	30.0	195				
MTK 55	1450	30.0	195	645	Ø400 w. bolt flange to FK 500 L = 250	418 x 418 to FK500 L = 300	89 (at 37.0 kW)
	1550	37.0	255				
	1650	45.0	290				
	1850	55.0	360				
MTK 75	1250	55.0	360	770	Ø400 w. bolt flange to FK 700 L = 250	704 x 555 to FK700 L = 500	91 (at 55.0 kW)
	1350	75.0	490				

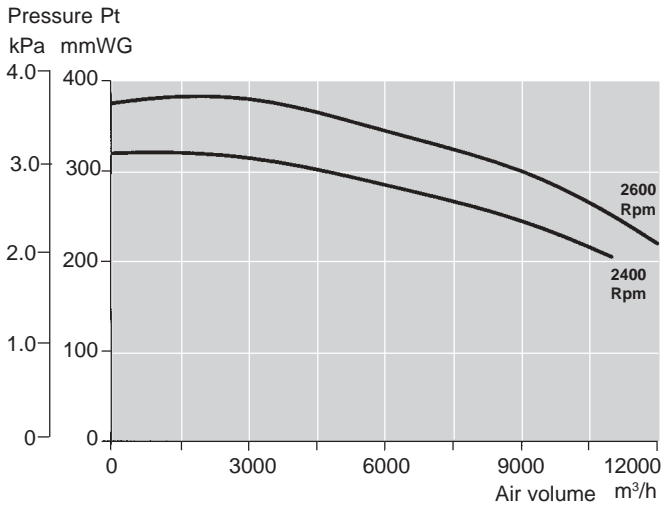
Dimensions MTK 40/45/55/75



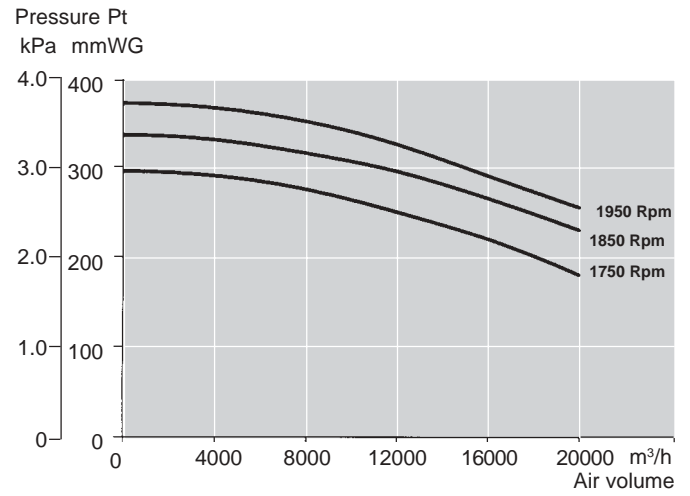
Type	A mm	A1xn	B mm	B1xn1	Ød	C mm	D mm	D1 mm	ØD2 mm	n2	E mm	F mm	G mm	H mm	I mm	J mm	K mm	L mm	M mm	N mm
MTK 40	250	94x3	250	94x3	11	55	400	439	11	16	330	740	1010	545	55	550	650	325	462	824
MTK 45	339	123x3	339	123x3	11	55	450	489	11	16	395	885	1162	600	55	672	720	375	570	1013
MTK 55	418	112x4	418	112x4	11	60	550	590	11	16	500	1095	1435	780	55	853	955	468	715	1250
MTK 75	555	119x5	704	124x6	11	60	750	800	11	24	442	1225	1800	975	70	850	1125	515	800	1410

Air Volume 40/45/55/75/200/300

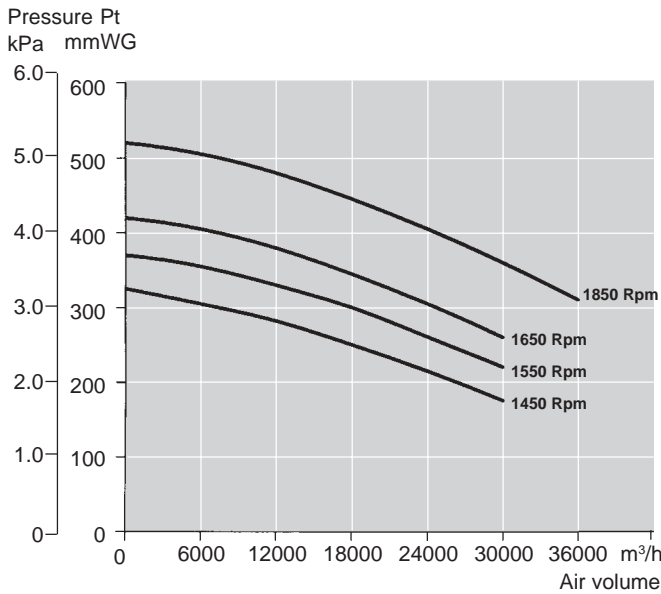
MTK40



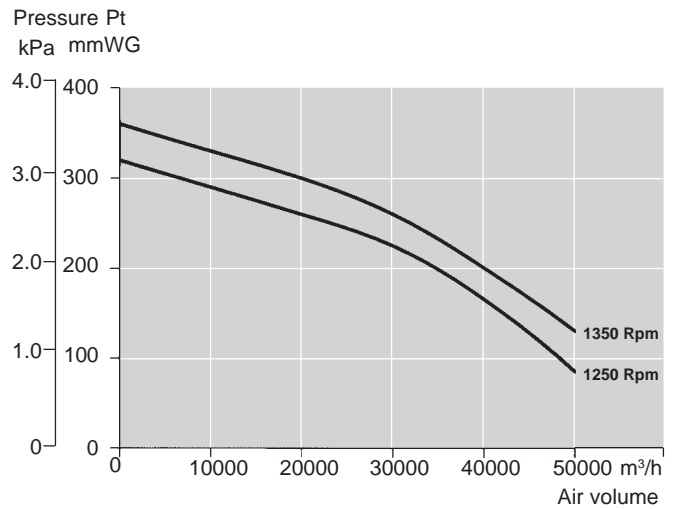
MTK45



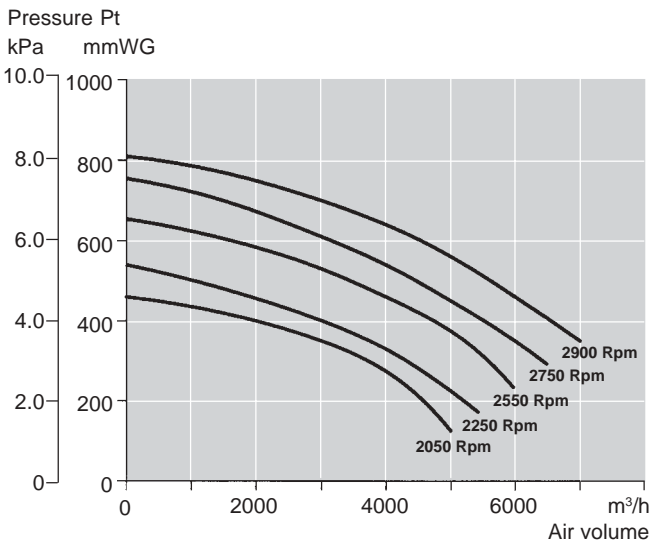
MTK55



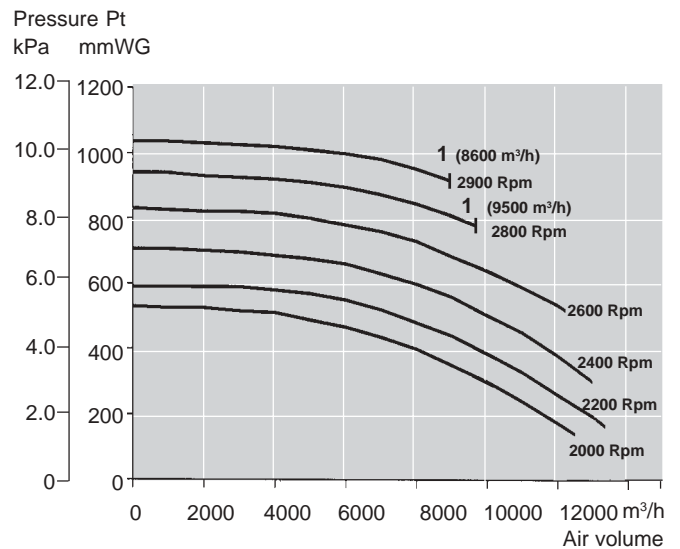
MTK75



MTK200



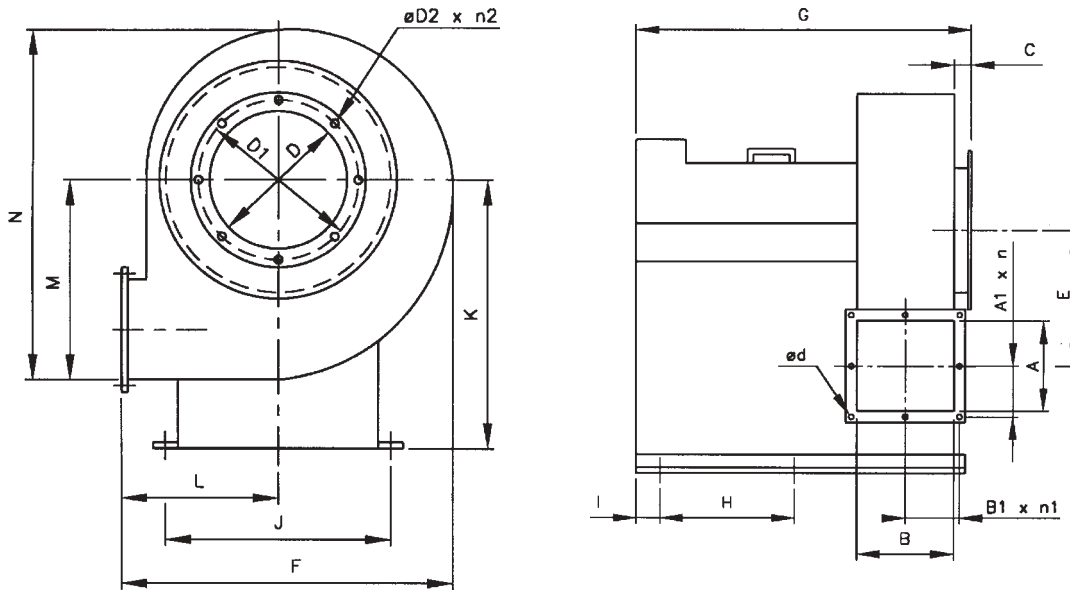
MTK300



1. Max Air volume for 37 kW motor.

MTK 200/300

Dimensions MTK 200/300



Type	A mm	A1x n	B mm	B1xn1	ød	C mm	D mm	D1 mm	øD2 mm	n2	E mm	F mm	G mm	H mm	I mm	J mm	K mm	L mm	M mm	N mm
MTK200	166	98x2	166	98x2	11	100	200	235	9	12	357	770	1034	599	55	672	720	370	440	820
MTK300	326	119x3	226	119x3	11	75	300	336	9	12	380	906	1145	665	55	703	860	418	548	986

Technical data MTK 200/300

Type	Available rpm	Necessary motor power, kW	Weight standard motor kg	Weight blower kg	Transitions inlet ¹	Transitions outlet ¹	Noise level dB (A) 1 m distance
MTK 200	2050	7.5	57	187	ø200 w. bolt flange to OK200 L = 250	166 x 166 to OK200 L = 250	90 (bei 18.5 kW)
	2250	11.0	81				
	2550	15.0	118				
	2750	18.5	134				
	2900	22.0	165				
MTK 300	2000	18.5	134	355	Ø300 w. bolt flange to FK300 L = 200	326 x 226 to FK300 L = 300	103 (bei 37.0 kW)
	2200	22.0	165				
	2400	30.0	195				
	2600	37.0	255				
	2800	37.0	255				
	2900	37.0	255				

¹ Accessories



Kongskilde Industries A/S
 DK-4180 Sorø, Denmark
 Tel. +45 57 86 50 00
 Fax +45 57 86 51 00
 E-mail: mail@kongskilde.com
 www.kongskilde.com